

PRODUCT INFORMATION PACKET

Model No: 056T34W99009

Catalog No: N228

PowerWash™ XT Wash Down Duty™ General Purpose Motor, 3 & 2 HP, 3 Ph, 60 & 50 Hz,
208-230/460 & 190/380 V, 3600 & 3000 RPM, 56J Frame, TEFC



Regal and Marathon are trademarks of Regal Rexnord Corporation or one of its affiliated companies.

©2023 Regal Rexnord Corporation, All Rights Reserved. MC017097E

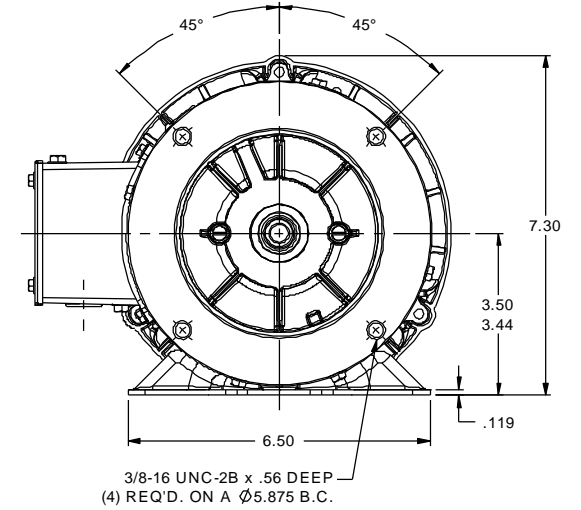
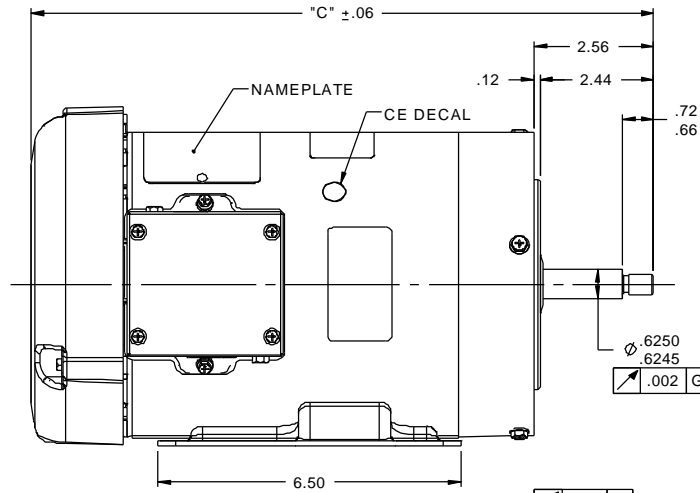
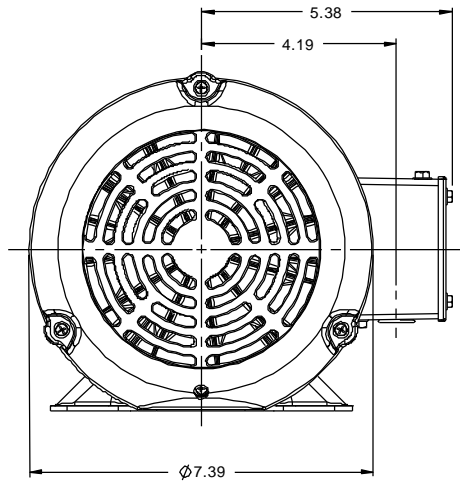


Nameplate Specifications

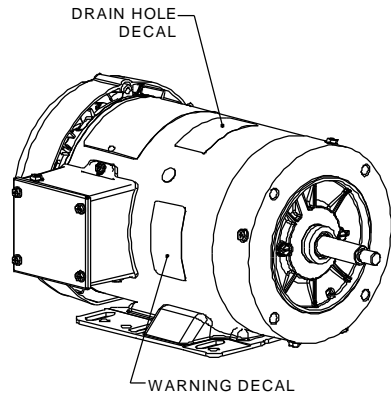
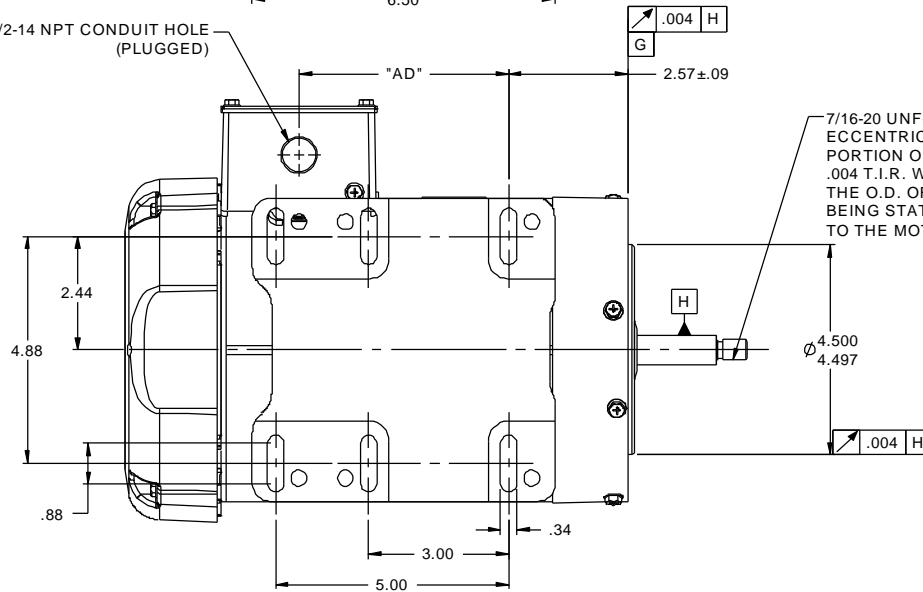
Phase	3	Output HP	3 & 2 Hp
Output KW	2.2 & 1.5 kW	Voltage	208-230/460 & 190/380 V
Speed	3450 & 2850 rpm	Service Factor	1.15 & 1.15
Frame	56J	Enclosure	Totally Enclosed Fan Cooled
Thermal Protection	No Protection	Efficiency	84 %
Ambient Temperature	40 °C	Frequency	60 & 50 Hz
Current	8.4-7.6/3.8 & 7.4/3.7 A	Power Factor	86
Duty	Continuous	Insulation Class	F
Design Code	B	KVA Code	J
Drive End Bearing Size	6205	Opp Drive End Bearing Size	6203
UL	Recognized	CSA	Y
CE	Y	IP Code	55
Number of Speeds	1		

Technical Specifications

Electrical Type	Squirrel Cage Induction Run	Starting Method	Across The Line
Poles	2	Rotation	Reversible
Resistance Main	6.2 Ohms	Mounting	Rigid Base
Motor Orientation	Horizontal	Drive End Bearing	Ball
Opp Drive End Bearing	Ball	Frame Material	Rolled Steel
Shaft Type	J	Overall Length	13.37 in
Frame Length	7.00 in	Shaft Diameter	0.625 in
Shaft Extension	1.88 in	Assembly/Box Mounting	F1 Only
Outline Drawing	607-0016ME-700	Connection Drawing	005010.01ME



(1) 1/2-14 NPT CONDUIT HOLE (PLUGGED)



WASHGUARD MOTOR

- SPECIAL FEATURES:
1. SHAFT SEALS & V-RING.
 2. PLUGGED DRAIN HOLES IN ENDBELLS & CONDUIT BOX.
 3. BUNA-N GASKETS THROUGHOUT.
 4. STAINLESS STEEL SHAFT, HARDWARE & NAMEPLATE.

DASH NO.	"C"	"AD"
650	12.87	4.00
700	13.37	4.50
750	13.87	5.00
800	14.37	5.50

				TOLERANCES UNLESS SPECIFIED				DRAWN UD 12/28/12	
				DEC	INCHES			CHK AB 12/28/12	
				X	±.1			APPR	
				XX	±.03	TITLE OUTLINE - 56J FRAME		SCALE 3:8	
				XXX	±.005	TEFC - RIGID "C" FACE		REF 607-0016	
				XXXX	±.0005	MAT'L WASHGUARD - JET PUMP		FMF 56T34W99009	
NO	REVISION	BY & DATE	CHK	ANG	±1/2°	FINISH	PAGE OF		
			RFP	PREV			SIZE B	DRAWING NO 607-0016ME	REV
						NETWORK FILE NAME 607-0016ME			

VIEW FROM OUTSIDE OF MOTOR AT SWITCH END.



VOLTAGE	L1	L2	L3	JOIN & INSULATE
HIGH	T1	T2	T3	(T4,T7) (T5,T8) (T6,T9)
LOW	T1,T7	T2,T8	T3,T9	T4,T5,T6

NO.		REVISION	BY & DATE	CHK	ANG	±1/2'	FINISH	TOLERANCES UNLESS SPECIFIED			DRAWN RDW 04/12/02	
								DEC.	INCHES		CHK	
								.X	±.1		APPD <td></td>	
								.XX	±.01		TITLE	SCALE 1=1
								.XXX	±.005			REF FIG.2-51
								.XXXX	±.0005	MAT'L.	FMF	
										DECAL - 004014	PREV	
				RFP	04/12/02		CAD FILE	00501001ME		SIZE	DRAWING NO.	REV.
				DIST						A	005010-01ME	

THIS DRAWING IN DESIGN AND DETAIL IS OUR PROPERTY AND MUST NOT BE USED EXCEPT IN CONNECTION WITH OUR WORK ALL RIGHTS OF DESIGN AND INVENTION ARE RESERVED THIS IS AN ELECTRONICALLY GENERATED DOCUMENT - DO NOT SCALE THIS PRINT

EC Declaration of Conformity

The undersigned representing
the manufacturer:

Regal Beloit America
100 East Randolph St.
Wausau, WI 54401

and the authorized representative
established within the Community:

Marathon Electric UK
6F Thistleton Road Ind. Estate
Market Overton
Oakham, Rutland LE15 7PP UK

are committed to providing customers with products that comply with applicable regulations and international protocols to which they are subject, including the requirements of the European Parliament Directive on the Harmonization of the laws relating to electrical equipment designed for use within certain voltage limits (2014/35/EU).

Regal Beloit America declares that the following product(s), to which this declaration relates, are in conformity with the relevant sections of the EC standards listed below.

This statement supersedes any statements previously issued pertaining to the product(s) listed below and is subject to change without notice.

Model No : 056T34W99009

(Model No. may contain prefix and/or suffix characters)

Catalog No : N228

Rework No : N/A

Directives :

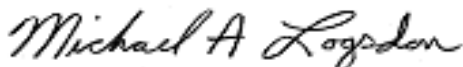
Low Voltage Directive 2014/35/EU

Harmonized Standards Used :

EN 60034-1: 2010 (IEC 60034-1: 2010)

EN 60034-5: 2001/A1:2007 (IEC 60034-5: 2000/A1:2006)

Authorized Representative:



Michael A. Logsdon
Vice President, Technology

Authorized Representative in the Community:



Julian Clark
Marketing Engineer

Created on 09/06/2022

CE 22